

$\frac{3}{16}$ " STEEL PLATE WELDED TO POST & GROUND SMOOTH

3" YELLOW HIGH INTENSITY RETRO-REFLECTIVE TAPE (TYP)

2- $\frac{1}{2}$ " DIA. GALVANIZED STEEL POST. PAINTED WITH 2 COATS OF PRIMER AND INSIGNIA YELLOW

$\frac{3}{4}$ " DIA. STEEL PIN W/ HEAD W/ $\frac{3}{8}$ " DIA HOLE FOR LOCK

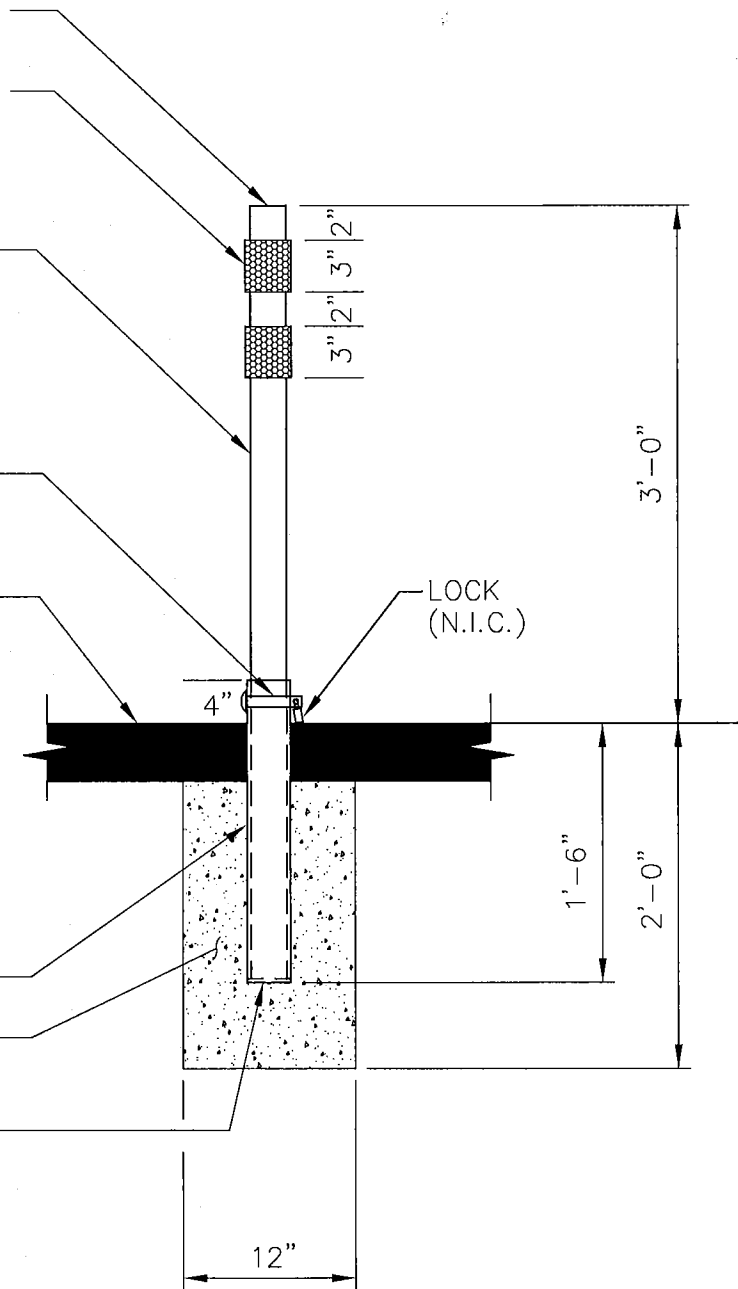
FINISH SURFACE

LOCK (N.I.C.)


3" DIA. GALVANIZED STEEL PIPE SLEEVE (PAINT ABOVE GROUND PORTION SAME AS POST)

CONCRETE FOOTING

$\frac{3}{16}$ " STEEL PLATE WELDED TO SLEEVE



NOTE: DRILL A $1\frac{3}{16}$ " DIA HOLE THRU BOTH THE POST AND SLEEVE FOR PIN PLACEMENT

DATE: 01/18/2007		NOT TO SCALE		CITY OF ELK GROVE - PUBLIC WORKS		APPROVED BY:	
REVISION	BY	APPROVED	DATE	REMOVABLE BOLLARD		CITY ENGINEER	
						DRAWING NUMBER	
							
						L - 22	